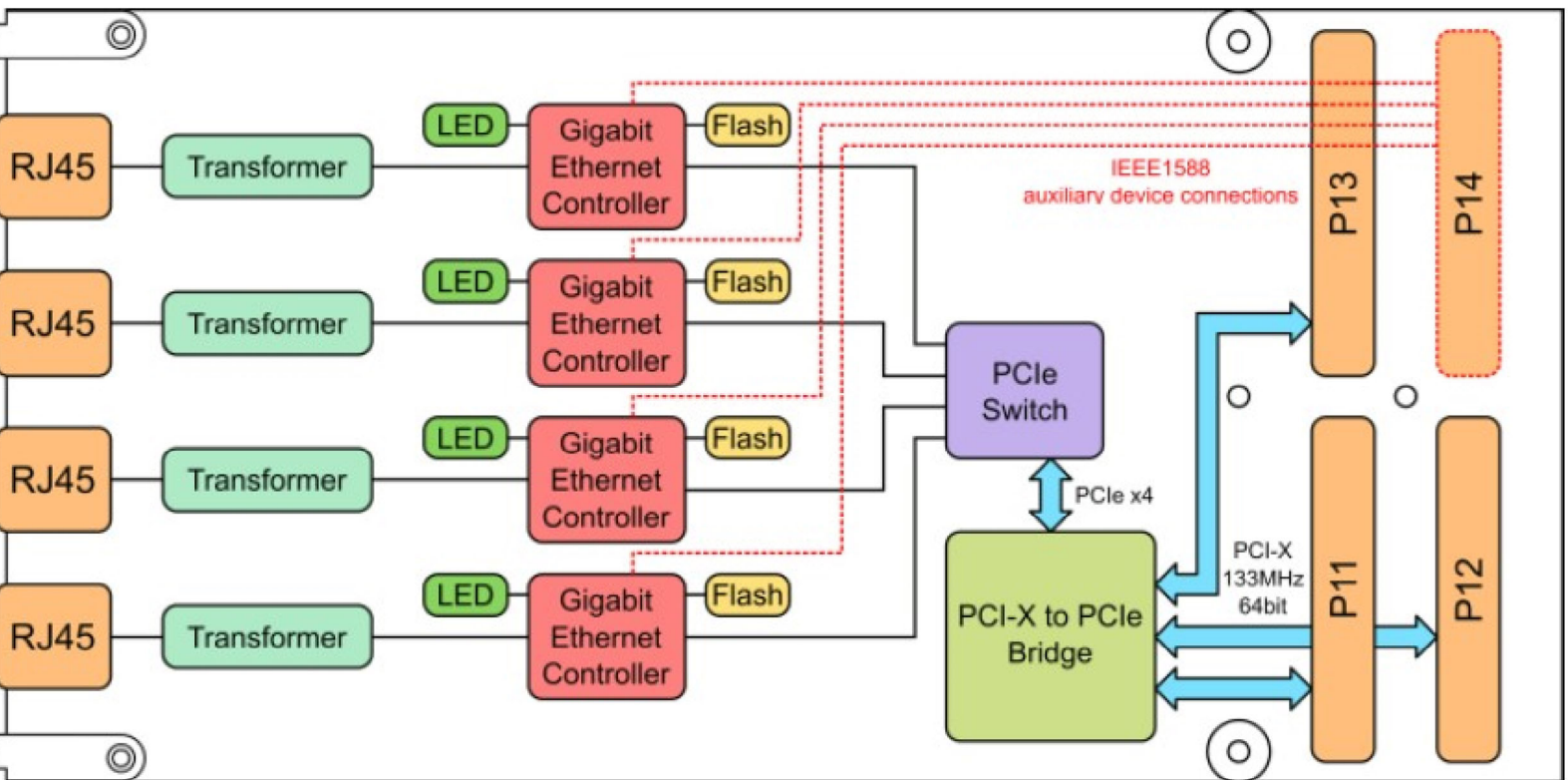


Air and conduction-cooled options with rear IO



Air-cooled with front panel IO
(PTP over P14 for IEEE 1588 optional)